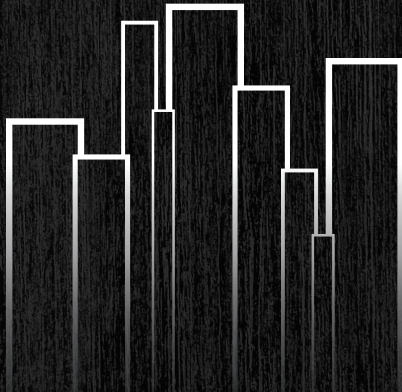


Skyline™

MULTIDIMENSIONAL CLADDING



Exterior Applications

Skyline™ is a large-scale commercial wall cladding product line from Pioneer Millworks that is completely customizable—offering designers, architects, and builders the ability to create unique dynamic accent walls by combining a mix of our different colors, lengths, widths, and milling heights, giving any space a singular look and feel.

Skyline™ offers a unique opportunity to design sophisticated dimensional landscapes with our proprietary color palate that evokes diverse cityscapes from around the world.

- Inspired by dynamic urban landscapes
- Customizable in large scale
- Multidimensional applications
- Made with sustainable long lasting Accoya®



Scandi

Sand

Black

Size

Skyline™ comes in a variety of different widths and milling heights that are universally interchangeable.

Wood

Available in FSC® certified and cradle-to-cradle gold certified Accoya® - top choice for sustainability, rot resistance, and material health.

Widths

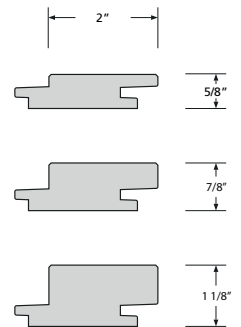
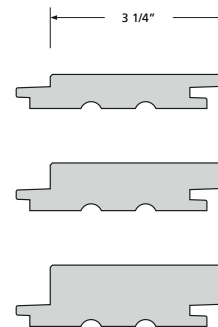
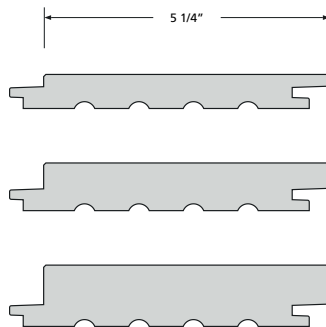
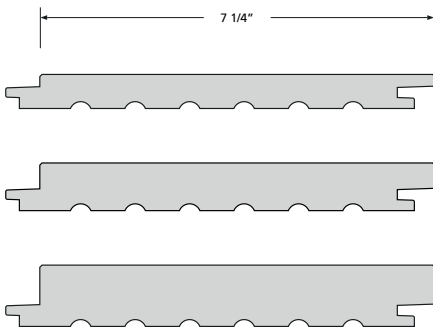
- 7 1/4"
- 5 1/4"
- 3 1/4"
- 2"

Heights

- 1 1/8"
- 7/8"
- 5/8"



*Backouts are added to Exterior Installations only



Skyline™

MULTIDIMENSIONAL CLADDING

CUT AND PASTE SPECIFICATION INTO APPROPRIATE CSI DIVISION

06 42 00—Wood Paneling
07 46 23—Wood Siding

MANUFACTURER

Pioneer Millworks East
1180 Commercial Drive
Farmington, NY 14425
Phone: 800-951-9663

Pioneer Millworks West
2655 NE Orchard Ave.
McMinnville, OR 97128
Phone: 503-437-9017

MATERIALS

Product Name: Skyline™—Multidimensional Cladding
Species/Description: Radiata Pine
Source: Sustainably Harvested Forests
Color: Available prefinished in standard colors.
Some color variation is inherent to the product.
Grade: Select
Dimensions: Solid
TH—5/8", 7/8", 1-1/8"
WD—2", 3-1/4", 5-1/4", 7-1/4"
LG—Random, Exterior- 8'-16'
Milling: Custom Skyline Profiles
Finish: Exterior - poly sealer 2 coats face 1 on back
FSC Claim: FSC Mix 70%

ADDITIONAL INFORMATION

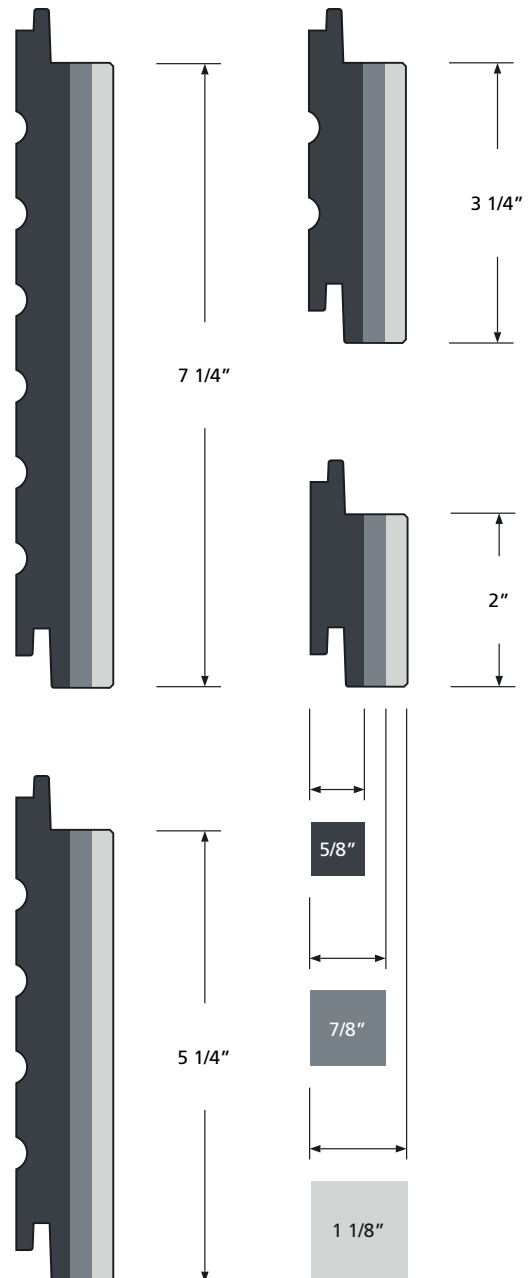
Heartwood: No restriction
Grain: No restriction
Knots: Boards to be primarily free of knots
Texture: Nylon Brushed
Voids: None allowed.
Discoloration: Variations in natural wood tone are to be expected, along with occasional staining which may be more visible in lighter-colored finishes.
Checks: No checks present
Moisture Content: 3-5% in normal conditions

LEED INFORMATION

MRC1: Building Life-cycle Impact Reduction.
MRC2: EPD Certification Available.
MRC3: FSC Mix 70%
MRC4: Material Ingredients Optimization: C2C Gold Certified.

RECOMMENDED OVERAGE

10–15% additional material for on-site trimming and installation factors.
***Complex patterns, designs and color combinations may require more material than standard coverage**



Information is deemed reliable but subject to change. All photos for representation only. Additional information available at our website or call our wood design experts.